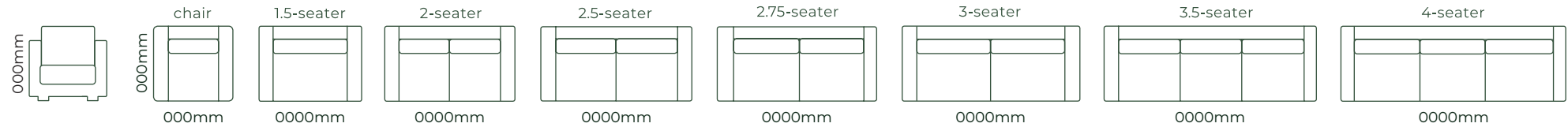
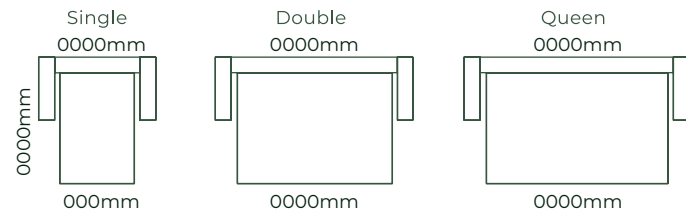


PRODUCT / DIMENSIONS

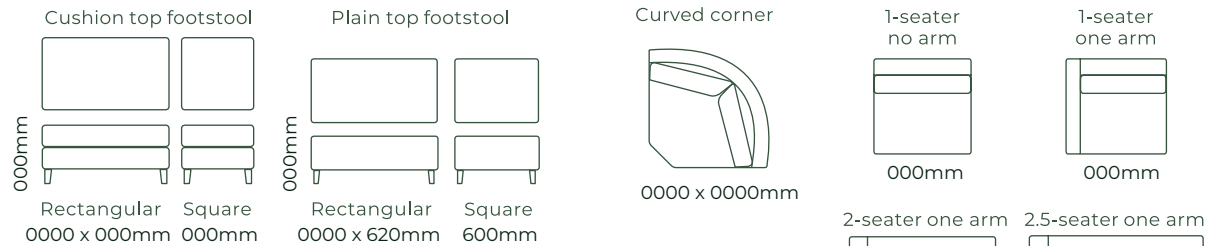
SOFAS ALL SOFA SIZES AVAILABLE WITH NO ARM, ONE ARM OR TWO ARMS



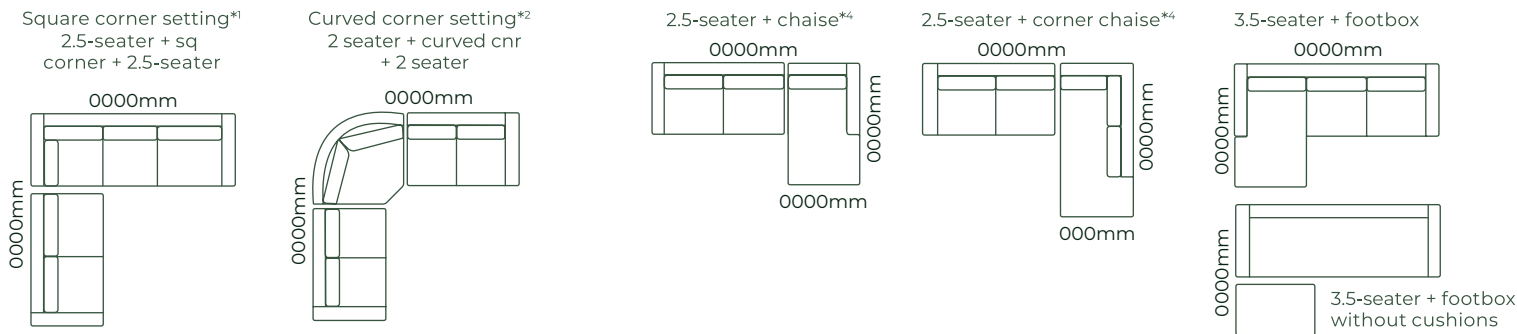
SOFA BEDS SUITABLE FOR CORNER SETTINGS TOO*3



ACCESSORIES



EXAMPLE SETTINGS WITH MANY OTHER CONFIGURATIONS AVAILABLE



Due to the nature of foam and fabric all furniture dimensions could be +/- 20mm.

*1. In a square corner setting the corner piece is always 'built on' to the smaller piece as standard, but can be purchased separate.

*2. In a curved corner setting, the corner piece is freestanding.

*3. Legs are Wenge as standard, but please refer to your retailer.

*4. Chaise cushion width is always made to match adjoining piece.

*5. Sofa beds have 270mm deep front borders. We use T47 or T27 legs (70mm).

TIMBER LEG STAINS



METAL LEG COLOUR



WARRANTY:

Timber frame: 00-years **Back inners:** 00-years
Seat webbing: 00-years **Sofa bed mech:** 00-year
Seat foam: 00-years **Fabric:** Refer to supplier